



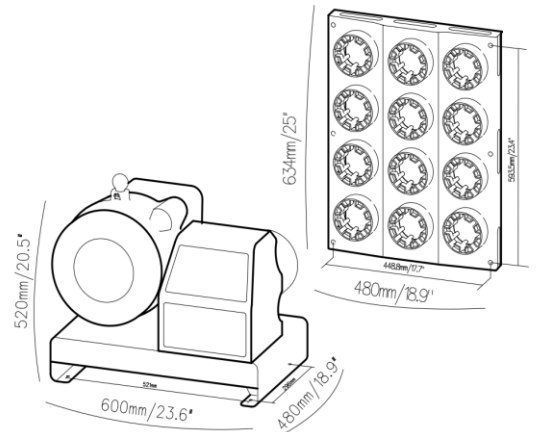
# Guangzhou YuBen Hydraulic Technology Co., Ltd

Add:A5 Factory, Lanyuan Industrial Zone, No. 8 Xinwu Sixth Street,  
Zhaidong Village, Yongning Street, Zengcheng District, Guangzhou



## YB-P32CS FEATURES

Yuben P32CS hose-crimping machine has been designed to crimp up to 2" diameter 4-spiral hoses. It is fast and easy to use. And for car-service use. It is fast and easy to use. CS machines are battery powered with 12V or 24V.



### TECHNICAL DATA

|                                |                         |
|--------------------------------|-------------------------|
| Max crimping dia (mm)          | 10-87                   |
| Max crimping dia (inches)      | 0.39-3.42               |
| Max. crimping force (kN)       | 2000                    |
| Max. crimping force (tonnage)  | 200                     |
| Cycle time 10 mm (s)           | 7.5                     |
| Hose size ID (inches)          | 2" (4SH) / 1 1/2" (6SH) |
| Dies set series                | P32                     |
| Max. opening (mm)              | +33                     |
| Max. opening without dies (mm) | 132                     |
| Master die D / L (mm)          | 99/80                   |
| Master die D / L (inches)      | 3.90/3.15               |
| Motor (kW) 12V/24V             | 1.6/2.25                |
| Motor (HP) 12V/24V             | 2.1/3.05                |
| Oil tank volume (L)            | 4                       |
| Crimping /hour                 | 100                     |

### DIMENSIONS (L x W x H)

|                |                |
|----------------|----------------|
| Machine (mm)   | 600X480X520    |
| Machine (inch) | 23.6X18.9X20.5 |
| Package (mm)   | 830X630X600    |
| Package (inch) | 32.7X24.8X23.6 |

### WEIGHT (KG)

|      |     |
|------|-----|
| N.W. | 143 |
| G.W. | 178 |

### CONTROL

⊗Semi-Automatic

### STANARD FEATURES

- ⊗QuickChange-tool
- ⊗Die wall racks

### OPTIONS

- ⊗Foot pedal



### P32Dies:

| DieSetNo | Crimping range ID (mm) | L (mm) |
|----------|------------------------|--------|
| P32/06*  | 6.0 - 8.0              | 6 55   |
| P32/08*  | 8.0 - 10.0             | 8 55   |
| P32/10*  | 10.0 - 12.0            | 10 55  |
| P32/12*  | 12.0 - 14.0            | 12 55  |
| P32/14*  | 14.0 - 16.0            | 14 55  |
| P32/16   | 16.0 - 19.0            | 16 55  |
| P32/19   | 19.0 - 22.0            | 19 55  |
| P32/22   | 22.0 - 26.0            | 22 70  |
| P32/26   | 26.0 - 30.0            | 26 70  |
| P32/30   | 30.0 - 34.0            | 30 70  |
| P32/34   | 34.0 - 39.0            | 34 75  |
| P32/39   | 39.0 - 45.0            | 39 75  |
| P32/45   | 45.0 - 51.0            | 45 90  |
| P32/51   | 51.0 - 57.0            | 51 90  |
| P32/57   | 57.0 - 63.0            | 57 100 |
| P32/63   | 63.0 - 69.0            | 63 100 |
| P32/69   | 69.0 - 75.0            | 69 100 |
| P32/74*  | 74.0 - 80.0            | 74 100 |
| P32/78*  | 78.0 - 87.0            | 78 100 |

\*: Non standard die

