

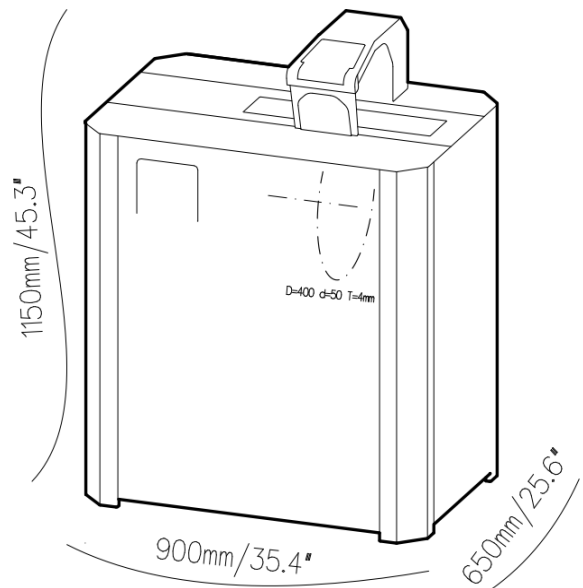


Guangzhou YuBen Hydraulic Technology Co., Ltd

Add:A5 Factory, Lanyuan Industrial Zone, No. 8 Xinwu Sixth Street,
Zhaidong Village, Yongning Street, Zengcheng District, Guangzhou

YB-C400A FEATURES

Yuben C400A hose-cutting machine has been designed to cut up to 2" diameter 4-spiral hoses. The hose is pushed against the blade by a pneumatic pusher.



TECHNICAL DATA

Max.hose size(inches)	2*4SH
Diameter(blade),ext.(mm)	400*4*50
Air power	6BAR
Motor(kw):Tri	5.5
Motor(HP):Tri	7.85
Velocity,50 HZ(rpm)	2850
Velocity,60 HZ(rpm)	3370
Motor Voltage: Tri	220V/380V/400V

DIMENSIONS (L x W x H)

Machine (mm)	900X650X1150
Machine (inch)	35.1X25.6X43.5
Package (mm)	1225X825X1440
Package (inch)	48.2X32.5X56.7

WEIGHT (KG)

N.W.	197
G.W.	225

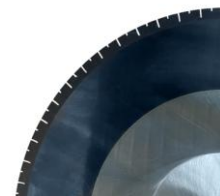
STANARD FEATURES

※Smooth Blade



OPTIONS

※Toothed Blade (High-speed Steel)



※Toothed Blade (Spanish)

