

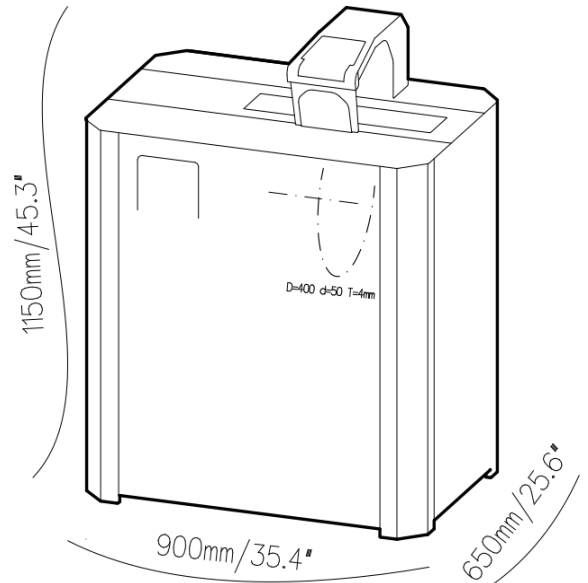


# Guangzhou YuBen Hydraulic Technology Co., Ltd

Add: A5 Factory, Lanyuan Industrial Zone, No. 8 Xinwu Sixth Street,  
Zhaidong Village, Yongning Street, Zengcheng District, Guangzhou

## YB-C400F FEATURES

Yuben C400F hose-cutting machine has been designed to cut up to 2" diameter 4-spiral hoses.



## TECHNICAL DATA

Max.hose size(inches)	2*4SH
Diameter(blade),ext.(mm)	400*4*50
Air power	—
Motor(kw):TRI	5.5
Motor(HP):TRI	7.85
Velocity,50 HZ(rpm)	2850
Velocity,60 HZ(rpm)	3370
Motor Voltage: Tri	220V/380V/400V

## DIMENSIONS (L x W x H)

Machine (mm)	900X650X1150
Machine (inch)	35.1X25.6X43.5
Package (mm)	1225X825X1440
Package (inch)	48.2X32.5X56.7

## WEIGHT (KG)

N.W.	195
G.W.	220

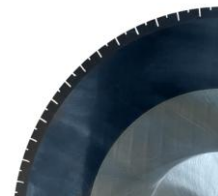
## STANARD FEATURES

✘ Smooth Blade



## OPTIONS

✘ Toothed Blade (High-speed Steel)



✘ Toothed Blade (Spanish)

