



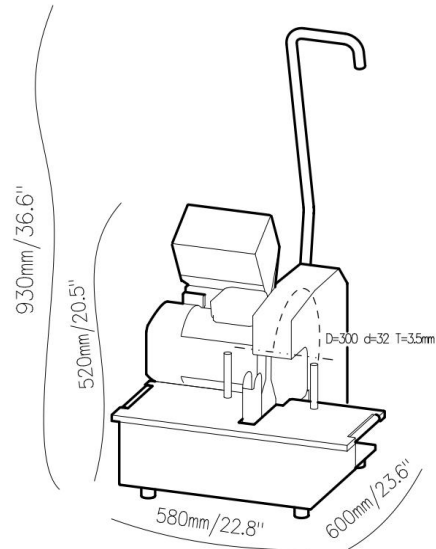
Guangzhou YuBen Hydraulic Technology Co., Ltd

Add:A5 Factory, Lanyuan Industrial Zone, No. 8 Xinwu Sixth Street,
Zhaidong Village, Yongning Street, Zengcheng District, Guangzhou



YB-C300 FEATURES

Yuben C300 hose-cutting machine has been designed to cut up to 2" diameter 4-spiral hoses. And for workshop use. It is manually operated and easy to use.



TECHNICAL DATA

| | |
|--------------------------|-----------|
| Max.hose size(inches) | 2*4SH |
| Diameter(blade),ext.(mm) | 300*4*32 |
| Air power | — |
| Motor(kW):Tri/Mono | 4/2.2 |
| Motor(HP):Tri/Mono | 5.3/2.99 |
| Velocity,50 HZ(rpm) | 2850 |
| Velocity,60 HZ(rpm) | 3370 |
| Motor Voltage: Tri | 220V/380V |
| Motor Voltage: Mono | 220V |

DIMENSIONS (L x W x H)

| | |
|----------------|----------------|
| Machine (mm) | 580X600X930 |
| Machine (inch) | 22.8X23.6X36.6 |
| Package (mm) | 705X625X740 |
| Package (inch) | 27.8X24.6X29.1 |

WEIGHT (KG)

| | |
|------|-----|
| N.W. | 78 |
| G.W. | 110 |

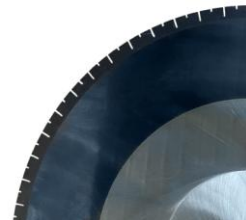
STANARD FEATURES

✘Smooth Blade



OPTIONS

✘Toothed Blade (High-speed Steel)



✘Toothed Blade (Spanish)

