

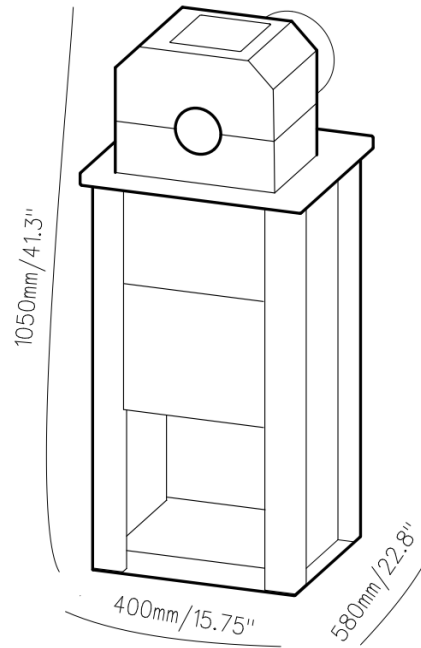


Guangzhou YuBen Hydraulic Technology Co., Ltd

Add:A5 Factory, Lanyuan Industrial Zone, No. 8 Xinwu Sixth Street,
Zhaidong Village, Yongning Street, Zengcheng District, Guangzhou

YB-S50 FEATURES

Yuben S50 hose-skiving machine has been designed to skive hydraulic hoses from diameter 3/16" to 2". For workshop use.



- ※Easily adjustable with one screw.
- ※Additional waste bin
- ※Separate tool rack
- ※Single sided blade holder

TECHNICAL DATA

Hose capacity, external inch	1/4"-2"
Hose capacity, internal inch	3/4"-2"
Electric motor(kw)	0.4kw
Speed of tool rotation	145r/min
Motor Voltage (V): Tri	200/220/380
Motor Voltage (V): Mono	220/230/240

DIMENSIONS (L x W x H)

Machine(mm)	400X580X1050
Machine(inch)	15.75X22.8X41.3
Package(mm)	535X685X1225
Package(inch)	21.1X27X48.2

WEIGHT (KG)

N.W.	57
G.W.	69

STANDARD SKIVING KIT

External (inch)	1/4
	5/16
	3/8
	1/2
	5/8
	3/4
External & Internal (inch)	1
	1 1/4
	1 1/2
	2

